

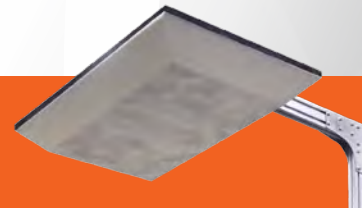
CE-50/S E-USR/P

Slip Rings
for Wrapping Machines

CONDUCTIX
wampfler

The ideal solution for...

... Rotating Arm Wrapping Machines



... Rotating Table Wrapping Machines





E-USR/P



CE-50/S

Main Features

Modularity

same design
for all the currents

Replacement

individually mountable
and dismantlable

Patented Brush Holders

- 1 Top Plate** | Material: Polyamide 12 (PA12)
With anti-rotating rods and holes for cable glands integrated
- 2 Housing** | Material: Polyamide 12 (PA12)
Modular side modules for fast opening and full access
- 3 Slip Ring** | New European range USR
- 4 Installation** | Several options (flying leads, terminal board, threaded M48x1,5 hub)
- 5 End Plate** | Material: Polyamide 12 (PA12)
With anti-rotating rods and holes for cable glands integrated
- 6 Wiring** | Standard: 2m only on rings side
Options: different cable length and wiring on brushes
- 7 Air Joint** | Size 1/4"
- 8 Installation** | Standard flange with radial exit for cables and air hose

Construction & Design

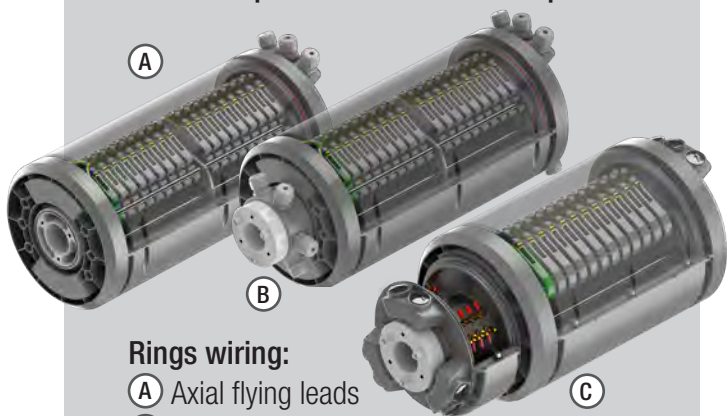
E-USR/P

- External diameter 220mm
- Free inner hole 42mm
- Length depending on composition
- Side opening for full access
- Standard Hub for fixation
(Option M48x1.5 & Terminal Board)
- Captive screws for cover closure
- Voltage: 690V
- IP Protection: IP51

Standard composition:

6|12|18|24|30|36 poles “type A**”

Other composition available on request



Rings wiring:

- (A) Axial flying leads
- (B) Radial flying leads
- (C) Terminal board

*9A - Current in rotation T=30°C, S1

CE-50/S

- External diameter 180mm
- Length depending on composition
- Side opening for full access
- Standard Flange + Hub for fixation
- Captive screws for cover closure
- Integrated Air Joint size 1/4”
- Anti-rotating rods integrated in the End Plate
- Voltage: 400V
- IP Protection: IP54

Standard composition:

18|22|26|30 poles “type 11**”

Other composition available on request



*10A - Current in rotation T=30°C, S1

www.conductix.com

Conductix-Wampfler has just one critical mission:
To provide you with energy and data transmission
systems that will keep your operations up and
running 24/7/365.

To contact your nearest sales office, please refer to:
www.conductix.contact

