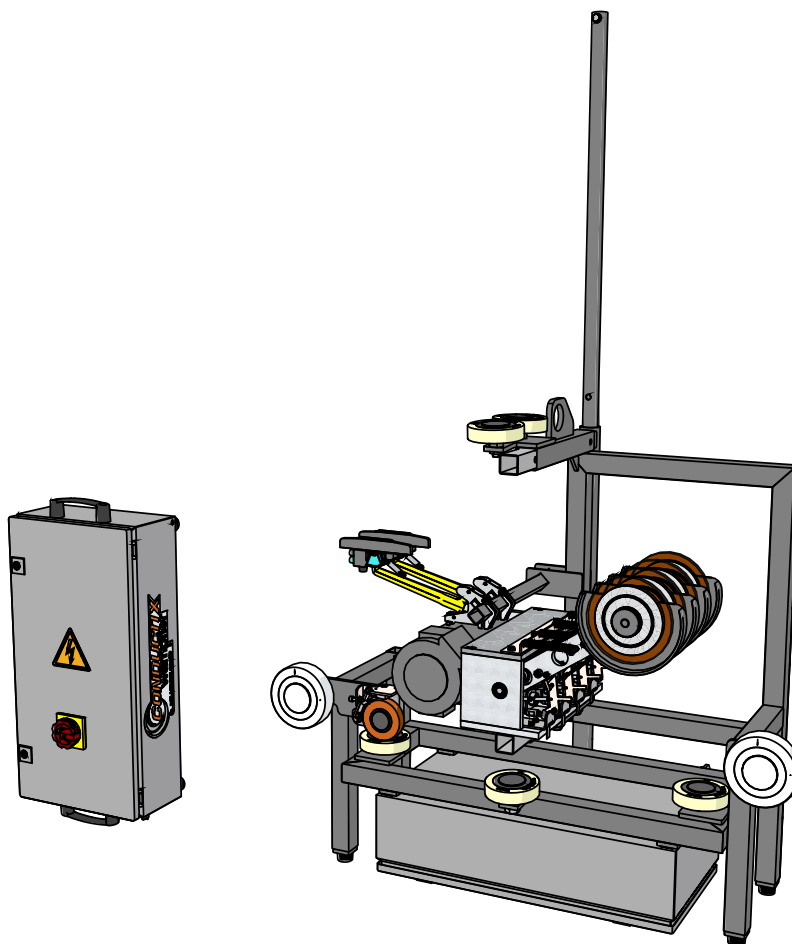


Cleaning Device for Conductor Rails 0851 RTG

Variant 4P

Program 0851

Order Number: 08-V015-0485



Contents

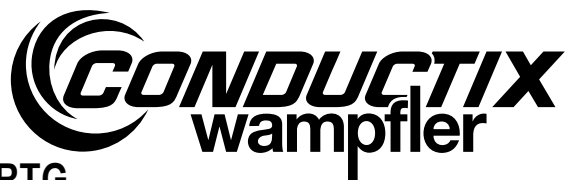
1	General Advice	4
1.1	Information to these Operating Instructions.....	4
1.2	Limitation of Liability	4
1.3	Copyright	5
1.4	Spare Parts.....	5
1.5	Material Defects.....	5

Cleaning Device for Conductor Rails 0851 RTG

Variant 4P

Program 0851

1.6	Technical Support.....	5
2	Safety Advice	6
2.1	Definition of the Symbols.....	6
2.2	Personnel Requisition.....	7
2.2.1	Qualification.....	7
2.2.2	Unauthorized Persons	7
2.2.3	Instruction.....	7
2.3	Application in Accordance with the Regulations.....	8
2.4	Safety Measures by the Operator.....	9
2.5	Behavior in Case of Accidents and Disturbances.....	10
3	Product Description and Mode of Operation.....	11
3.1	Brief Description	11
3.2	Operation Mode.....	13
3.3	Accessories	13
4	Transport, Packing and Storage	14
4.1	Transport	14
4.1.1	Safety Advice for Transport.....	14
4.1.2	Transport Inspection.....	14
4.2	Packing.....	15
4.3	Storage	15
5	Assembly and Commissioning.....	16
5.1	Safety	16
5.2	Preparations	18
5.3	Test and Initial Commissioning.....	18
5.3.1	Checklist Initial Commissioning.....	18
6	Operation	19
6.1	Safety	19
6.2	Put Cleaning Device on Steel Structure of the 0851 E-RTG Installation.....	20
6.2.1	Mount the Grinding Discs	20
6.2.2	Make the Cleaning Device ready for Operating.....	22



Cleaning Device for Conductor Rails 0851 RTG

Variant 4P

Program 0851

6.2.3	Adjust Angle Tilt.....	28
6.3	Connect Power Supply.....	31
6.4	Cleaning the Conductor Rails.....	34
6.5	Activities after Using.....	36
7	Service and Maintenance.....	37
7.1	Safety.....	37
7.2	Maintenance Schedule.....	37
8	Fault Diagnosis.....	38
9	Disassembly and Disposal.....	39
9.1	Safety.....	39
9.2	Disassembly.....	39
9.3	Disposal.....	39
10	Further Documents.....	40
10.1	Declaration of Conformity.....	40
11	Index.....	41

Cleaning Device for Conductor Rails 0851 RTG

Variant 4P

Program 0851

1 General Advice

1.1 Information to these Operating Instructions

These operating instructions allow the safe and efficient handling of the equipment.

The operating instructions are part of the equipment and must be stored close to the equipment and always available to the personnel. The personnel must have read carefully and understood these operating instructions prior to starting any works. The basic requirement for safe working is the observance all safety advice and guidelines specified in of these operating instructions.

Moreover, you have to observe the local accident prevention guidelines and the general regulations for the application of the equipment.

Illustrations in this documentation are for basic comprehension and can deviate from the real design of the equipment.

Besides these operating instructions the enclosed instructions for installed components have to be observed as well.

1.2 Limitation of Liability

All specifications and advice of these operating instructions have been made up with regard to the existing standards and prescriptions, the state-of-the-art and the many years of technical expertise and experiences.

The manufacturer does not take over any liability for damage due to:

- Non-observance of the operating instructions
- Application not in accordance with the regulations
- Employment of non-qualified staff
- Unauthorized reconstructions
- Technical modifications
- Application of unapproved spare parts and accessories

The effective volume of delivery may deviate from these explanations and descriptions in case of special design, the utilization of additional order options or on account of to the latest technical modifications.

The commitments of the supply contract, the general terms and conditions as well as the manufacturer's terms of delivery and the legal regulations at the time of the contract conclusion have to be observed.

We reserve the right of technical modifications in the context of revision of useful properties and further developments.

Cleaning Device for Conductor Rails 0851 RTG

Variant 4P

Program 0851

1.3 Copyright

These operating instructions are copyrighted and intended for customer internal use only. Surrender of the operating instructions to third party, any type of copying - even in extracts - as well as utilization and/or communication of the contents are not permitted without written approval by the manufacturer, except for customer internal purposes.

Violations will cause indemnities. We reserve the right to further claims.

1.4 Spare Parts



WARNING!

Safety risk due to faulty spare parts!

Faulty or defective spare parts might affect the security and cause damage, malfunction or complete failure.

→ Use only original spare parts of the manufacturer!

Spare parts have to be purchased via authorized dealers or directly from the manufacturer. Address see last page of these operating instructions.

The following relevant spare parts are available:

Order No.	Description
08-S265-2509	CURRENT COLLECTOR CLEANING DEVICE E-RTG
08-R007-0011	ROLLER SET 100PU EXZENTER (2 PIECES)
08-M190-0031	ROLLER SET 125PU (2 PIECES)
08-R004-0211	ROLLER SET 100PU (3 PIECES)
08-3202492	SYNCHRONOUS BELT

1.5 Material Defects

The regulations about material defects are listed in the general terms and conditions of business.

1.6 Technical Support

For technical support please contact our staff from the Customer Support Department.

Moreover, our staff is constantly interested in new information and experiences, which will arise from the application and which might be valuable for the improvement of our products.

Cleaning Device for Conductor Rails 0851 RTG

Variant 4P

Program 0851

2 Safety Advice

2.1 Definition of the Symbols

Safety advice in these operating instructions is marked by symbols. Safety advice start with signal words, that inform about the degree of danger. Safety advice must be absolutely observed. Exercise caution in order to avoid accidents, injuries of persons and damage to property!



DANGER!

... indicates an immediately hazardous situation, which if not avoided, may result in death or serious injury.



WARNING!

... indicates a possibly hazardous situation, which if not avoided, may result in death or serious injury.



CAUTION!

... indicates a possibly hazardous situation, which if not avoided, may result in moderate or minor injury and property damage.



ADVICE!

Advice and recommendations:

... gives advice and recommendations as well as information for an efficient and undisturbed operation.

Cleaning Device for Conductor Rails 0851 RTG

Variant 4P

Program 0851

2.2 Personnel Requisition

2.2.1 Qualification



WARNING!

Risk of injury in case of insufficient qualification!

Incorrect handling can cause serious injuries to persons and heavy damage to property.

→ All activities must be carried out by qualified staff!

The operating conditions indicate the following qualifications for the various fields of activity:

- **Instructed personnel/operators**
have been instructed by the operator about the tasks assigned to them and the possible dangers due to improper behavior.
- **Specialized staff**
is able to carry out the works assigned to them and realize and avoid any dangers in this regard, based on their training, knowledge, experiences and knowledge of the respective regulations.
- only those persons are authorized for these works, who are expected to do their work properly. Persons with restricted responsiveness, e.g. due to drugs, alcohol or medication are not permitted.
- for the selection of personnel observe the age-specific and job-related prescriptions effective at the place of installation.

2.2.2 Unauthorized Persons



WARNING!

Danger caused by unauthorized personnel!

Unauthorized personnel, who do not comply with the requirements described hereunder, are not familiar with the dangers that might occur within the working area.

→ Keep unauthorized personnel away from the working area.

→ In case of doubt talk to those people and dismiss them from the working area.

→ Interrupt the works as long as there are unauthorized persons within the working area.

2.2.3 Instruction

Prior to commissioning the personnel must be instructed by the operator. For a better track reporting it is required to report the instructions as follows:

Date	Name	Type of instruction	Instructed by	Signature
05.11.2009	John Doe	First safety briefing for the personnel	Richard Miles	

Fig. 1: Example for instruction report

Cleaning Device for Conductor Rails 0851 RTG

Variant 4P

Program 0851

2.3 Application in Accordance with the Regulations

The equipment has been exclusively designed and constructed for the intended purpose.

- Cleaning of conductor rails 0851 for E-RTG applications



WARNING!

Danger caused by application not in accordance with regulations!

Each application of the equipment not in accordance with and/or different from the regulations can result in dangerous situations.

Only use the equipment in accordance with the regulations.

- Details of these operating instructions must be strictly observed.
- The following applications of the equipment are prohibited. Applications not in accordance with regulations are as follow:
 - Application of the equipment with accessories not permitted or authorized by the manufacturer.
 - Operation of the equipment by not instructed personnel.
 - Operation of the equipment with installation on an improper foundation/subsurface.

Any claims due to improper application are excluded.

The operator is responsible for any damage due to improper application.

Cleaning Device for Conductor Rails 0851 RTG

Variant 4P

Program 0851

2.4 Safety Measures by the Operator

The equipment is used in the commercial sector. The operator is therefore responsible for occupational safety. Besides the safety advice of these operating instructions he must observe the safety, accident prevention and environmental protection regulations effective for the range of application of this equipment. Please note in particular:

- The operator must read the valid work safety regulations and determine any additional dangers in a risk assessment, dangers that might arise from special working conditions at the place of installation of the equipment. He then must work out the operating instructions for handling the equipment.
- During the complete operating time the operator must check if his operating instructions are in accordance with the state of technology of rules and standards and adapt them if required.
- The operator must clearly regulate and establish the responsibilities for installation, handling, fault repair and maintenance.
- The operator must ensure that all employees who are handling the equipment, have read and understood these operating instructions. Moreover, he must instruct the personnel at regular intervals and inform them about any dangers.
- The operator must provide the required protective equipment.

Moreover, it is in the responsibility of the operator, that the equipment is in perfect technical conditions, this means:

- The operator must ensure that the maintenance intervals described in the operating instructions are observed.
- The operator must have checked all safety devices regularly for their operational capability and completeness.

Cleaning Device for Conductor Rails 0851 RTG

Variant 4P

Program 0851

2.5 Behavior in Case of Accidents and Disturbances

Measures to be taken in case of accidents:

- Start with first aid measures
- Bring the people out of the danger zone
- Inform responsible persons on the site of operation
- Call the emergency medical services
- Clear access routes for rescue vehicles

Cleaning Device for Conductor Rails 0851 RTG

Variant 4P

Program 0851

3 Product Description and Mode of Operation

3.1 Brief Description

The cleaning device consists of 4 individually suspended grinding wheels which are driven centrally by an electric motor. For the guidance of the abrasive is a frame with rollers running on the steel structure of the 0851 current collector trolley. The control unit is located in the control box at the bottom of the frame (Dimensions: approx. 1025x950x600 mm).

The electrical interface is a power supply, which provides a DC voltage of 48 V DC. This low voltage is fed directly into the voltage-free conductor rails by the contacting elements (scope of delivery). At the cleaning device, the supply voltage is collected by the current collectors.

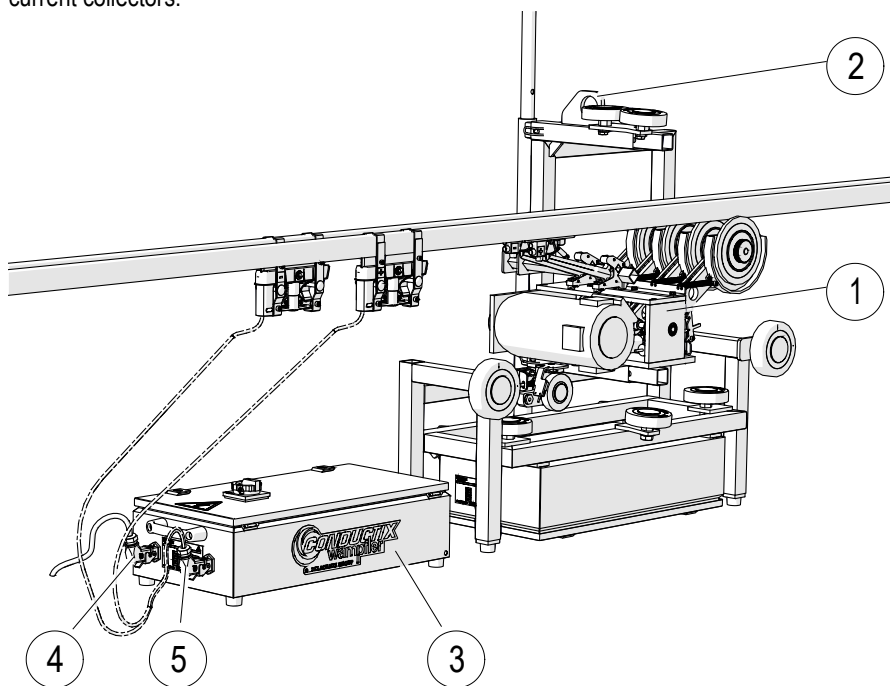


Fig. 2: Cleaning Device 0851

Pos.	Description
1	Cleaning Device
2	Lifting Eye
3	Power Supply
4	Input 180 V – 264 V AC at a frequency of 47-63 Hz
5	Output 48 V DC max. 50 A (Respect the polarity! For more information see Fig. 28)

Comparison “Before Cleaning” and “After Cleaning”:

Cleaning Device for Conductor Rails 0851 RTG

Variant 4P

Program 0851



Fig. 3: Before Cleaning

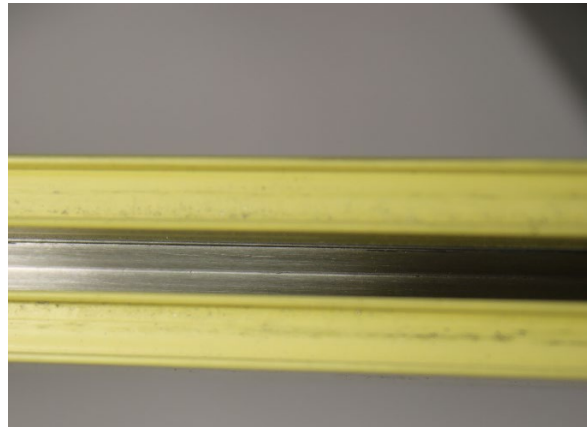


Fig. 4: After Cleaning



ADVICE!

It is recommended to clean the rail once per year, before a visual inspection of the rails is made!

The dark color of the special alloy rails is normal and not harmful. Cleaning is still recommended!



WARNING!

Do not make more cleaning sessions than 3 times per year!

It is not recommended to make more cleaning sessions than 3 times per year due to abrasion of insulation.

Example for “Destroyed Insulation“ after more cleaning session than 3 times per year:

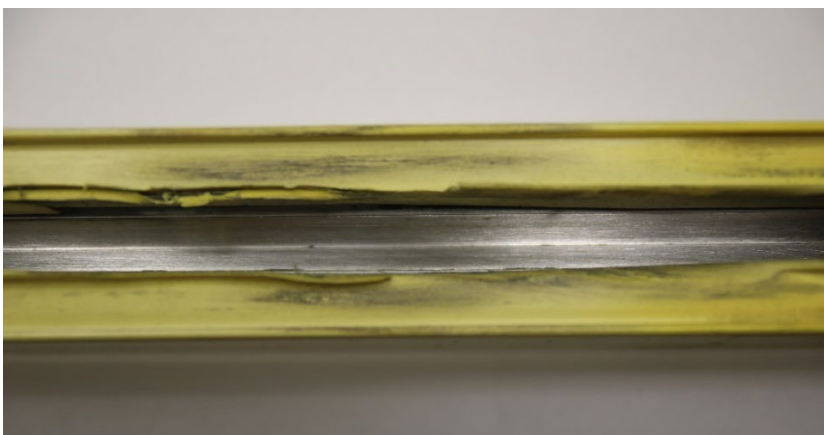


Fig. 5: Abrasion Insulation causes Insulation Destruction

Cleaning Device for Conductor Rails 0851 RTG

Variant 4P

Program 0851



ADVICE!

If rail surface is not smooth after using the cleaning device, report it to Conductix-Wampfler service!

3.2 Operation Mode

The maintenance staff operates the cleaning device manually!

3.3 Accessories

The following accessories are not included in the delivery and can be ordered from the manufacturer:

- 1 set consists of 4 Grinding Discs (Material-No.: 3204390)

Cleaning Device for Conductor Rails 0851 RTG

Variant 4P

Program 0851

4 Transport, Packing and Storage

4.1 Transport

4.1.1 Safety Advice for Transport



WARNING!

Danger of life due to pending loads!

Lifting loads may involve danger of life due to falling objects or parts pending without control. Never stand below pending loads.

- Observe the information regarding the provided suspension points.
- Do not attach anything to projecting machine parts or to eyes of built-on components. Ensure that the fasteners have a tight fit.
- Only use hoist units and fasteners with sufficient load capacity.
- Do not use cracked or abraded ropes or belts.
- Do not place ropes and belts close to sharp edges and corners, do not fasten with knots and do not twist.



CAUTION!

Damage due to improper transport!

Improper transport may cause considerable damage to property.

- Be careful when unloading the packages on delivery and on internal transport and observe the symbols and advice on the packing.
- Only use the provided fasteners.
- Do not remove packing material before starting the assembly.

4.1.2 Transport Inspection

Delivered goods must be checked for completeness and transport damage immediately after arrival.

If any transport damage is recognizable from the outside, proceed as follows:

- Do not accept the delivery or only with reservation.
- Note extent of damage on the transport documents or on the delivery note of the carrier.
- Initiate complaint.



ADVICE!

Complain about each fault, as soon as you have noted it. Claims for damages can only be raised within the respective terms.

Cleaning Device for Conductor Rails 0851 RTG

Variant 4P

Program 0851

4.2 Packing

The individual packages have been packed according to the expected transport conditions. We have used environmentally sound packing material only.

The packing shall protect the individual components up to the assembly from transport damage, corrosion and other kind of damage. This is the reason why the packing material should not be destroyed and only be removed immediately before starting with cleaning the rails.

Handling of packing material

Dispose of packing material according to the respective legal regulations and local prescriptions.



CAUTION!

Damage caused to the environment by faulty disposal!

Electrical waste, electronic components, lubricants, and other auxiliary materials are subject to hazardous waste disposal regulations and may only be disposed of by authorized specialists.

4.3 Storage

Store packages under the following conditions:

- Do not store in the open air.
- Keep in a dry and dust-free atmosphere.
- Do not expose to aggressive media.
- Protect from solar radiation.
- Avoid mechanical vibration.
- Storage temperature: 15 to 35°C.
- Relative humidity: max. 60%.
- In case of a storage time of more than 3 months, check the general condition of all parts at regular intervals. If required, refresh and renew the preservation.



ADVICE!

You will possibly find some advice on the packages about storage, which is given additionally to the advice given here. These must be observed as well.

Cleaning Device for Conductor Rails 0851 RTG

Variant 4P

Program 0851

5 Assembly and Commissioning

5.1 Safety

Personnel

- Commissioning must only be executed and operated for the first time after a repair by qualified electricians!
- These qualified electricians have to meet the requirements described in chapter 2.2.1.

The following personal protective equipment has to be worn when carrying out assembly works for the first time:



The following personal protective equipment has to be worn when making initial commissioning:



Requirement: The system must be switched off!



WARNING!

Risk of injury due to high voltage!

Before the cleaning device is placed on the steel structure, the conductor rails must be disconnected from the supply voltage!

→ Make sure that the conductor rails are de-energized and secured against switch on again!

Cleaning Device for Conductor Rails 0851 RTG

Variant 4P

Program 0851



WARNING!

Risk of injury due to improper commissioning!

Improperly performed commissioning can lead to dangerous situations for personnel.

- Before commissioning, carry out the inspections on the inspection list of the manufacturer.
- Always measure the insulation resistance before commissioning the system. This must be done in compliance with the local technical standards, guidelines and legislation.
- Always make sure that all of the assembly and installation work has been fully completed before commissioning the system.
- Always make sure that all of the components have been properly installed before commissioning the system.



CAUTION!

Before switching the system on!

- Every time before the device or system is started, measure the insulation resistance according to locally applicable technical standards, directives and legal regulations.
- Perform the required country-specific electrical tests.



WARNING!

Risk of fire!

A fire hazard can occur due to overloads of the cable, electrical arcing, or short-circuits.

- The permitted current values must be observed.
- Electrical fuses must be installed according to regulations.
- Warn against misuse.
- Do not store easily combustible materials near to conductor rails.

Cleaning Device for Conductor Rails 0851 RTG

Variant 4P

Program 0851

5.2 Preparations

Required tools:

- Flat wrench SW22
- Flat wrench SW17
- Flat wrench SW24

5.3 Test and Initial Commissioning



WARNING!

Risk of injury due to improper commissioning!

Improper commissioning may cause dangerous situations for the personnel.

→ Prior to the initial commissioning carry out the tests according to the check list of the manufacturer.

5.3.1 Checklist Initial Commissioning

Activity	Checked
Check cleaning device, external power supply and all accessories for visible damage	
Maintenance personnel is instructed	
Mount new grinding discs	
Place grinding arms in the locked position	
Switch off conductor rails and secure against restart!	
Check current collectors for a proper fit in the conductor rails	
Check grinding discs for a proper fit in the conductor rails	
Adjust push-handle	
Check electrical installation of the external power supply	
Check if the "Power Indicator Lamp" at the cleaning device is shining	
Accessories (etc.) installed by trained personnel according to the product documentation	
Check clearance of the conductor rail system	
Check during cleaning the walking speed with the 3 signal lamps	

.....
Date

.....
Signature

Cleaning Device for Conductor Rails 0851 RTG

Variant 4P

Program 0851

6 Operation

6.1 Safety



WARNING!

Danger of life due to pending loads!

Falling loads may cause heavy injuries and death.

- Never stand below pending loads.



WARNING!

Risk of injury due to improper handling!

Improper handling may cause heavy injuries or damage to properties.

- Carry out all operating steps according to these operating instructions.
- Prior to starting work, ensure that all covers and safety devices have been installed and worked properly.
- Ensure that the workplace is clean and tidy! Loose components and tools, that are lying around may cause accidents.



WARNING!

Danger caused by unauthorized personnel!

Unauthorized personnel, who do not comply with the requirements described hereunder, are not familiar with the dangers that might occur within the working area.

- Keep unauthorized personnel away from the working area.
- In case of doubt talk to those people and dismiss them from the working area.
- Interrupt the works as long as there are unauthorized persons within the working area.

Personnel:

- Operation by trained personnel only!

The following personal protective equipment has to be worn (this must be worn all the time when handling with the system):



Cleaning Device for Conductor Rails 0851 RTG

Variant 4P

Program 0851

6.2 Put Cleaning Device on Steel Structure of the 0851 E-RTG Installation

Preparation of additional required equipment:

- Fork-lifter (min. lifting height > 4.5 m; shifting fork would make operation easier)
- Double ladder > 2.5 m
- Voltage tester
- Lifting loop



WARNING!

Risk of injury due to high voltage!

Before the cleaning device is placed on the steel structure, the conductor rails must be disconnected from supply voltage!

→ Make sure that the conductor rails are de-energized and secured against switch on again!

6.2.1 Mount the Grinding Discs

Use for every block a new set of grinding discs. Open the disc wrapping directly before using. The grinding discs properly fit into the conductor rails because the grinding discs are under vacuum (thickness of discs is relevant).

Working Steps:

1. Turn anticlockwise to loosen the fast fix nut. Take off the first driving disc from the shaft.

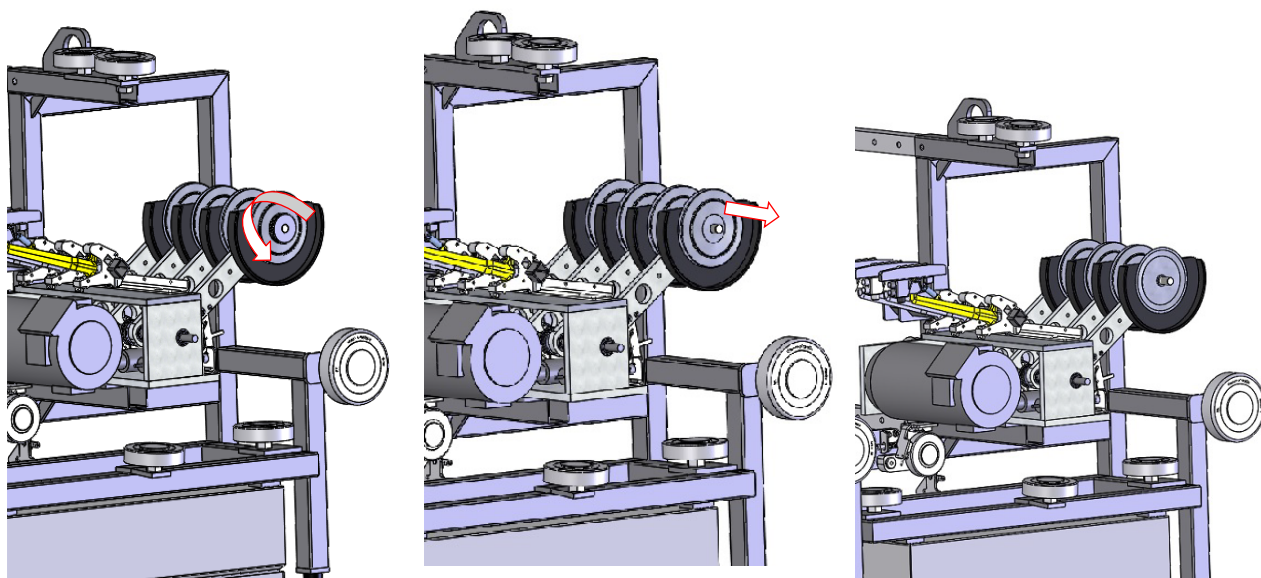


Fig. 6: Turn anticlockwise and take off the driving disc

Cleaning Device for Conductor Rails 0851 RTG

Variant 4P

Program 0851

2. Slide the grinding disc and the driving disc onto the shaft.

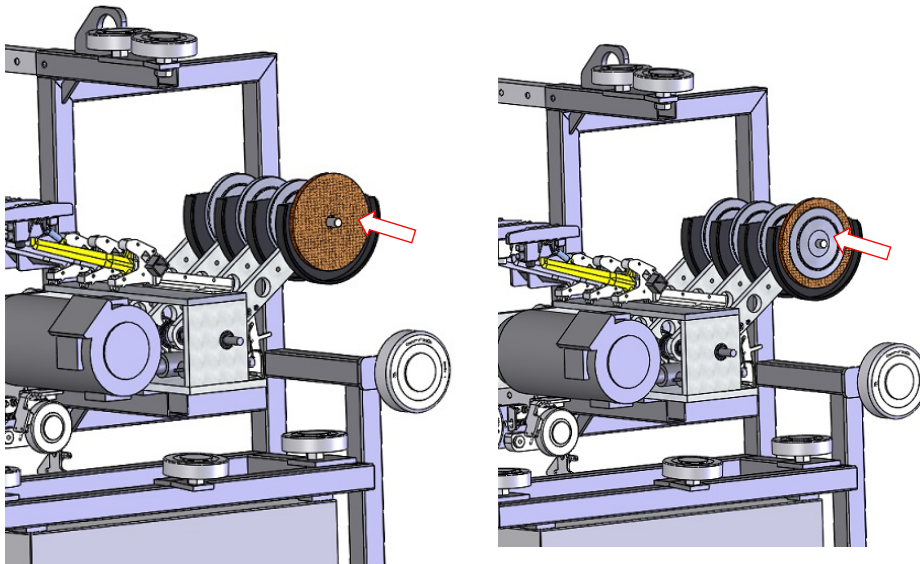


Fig. 7: Slide the grinding disc and the driving disc onto the shaft.

1. Put the fast fix nut back again and tighten it firmly. Block the shaft by holding the toothed belt disc. Repeat the working steps with all four grinding arms.

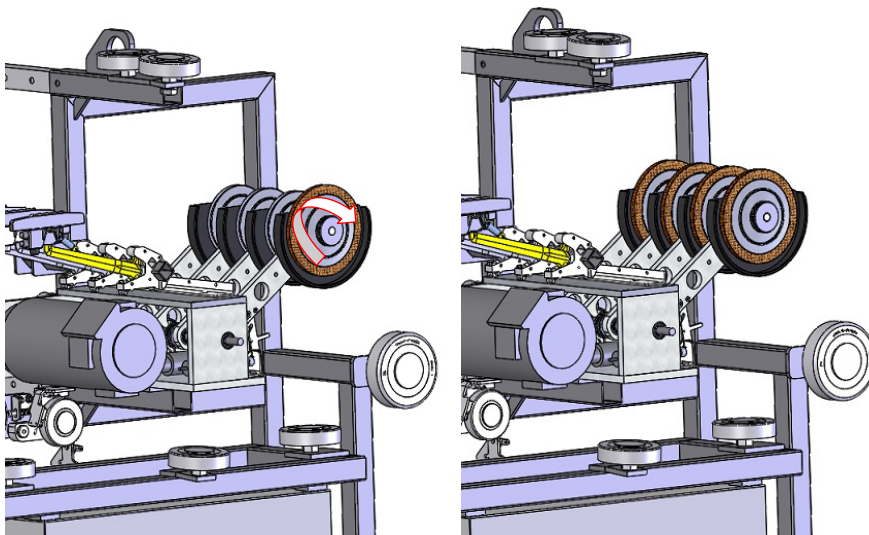


Fig. 8: Fast fix nut tighten firmly and block the shaft

Cleaning Device for Conductor Rails 0851 RTG

Variant 4P

Program 0851

3. Push the grinding arms into the rest position by pulling them down until they are locked.

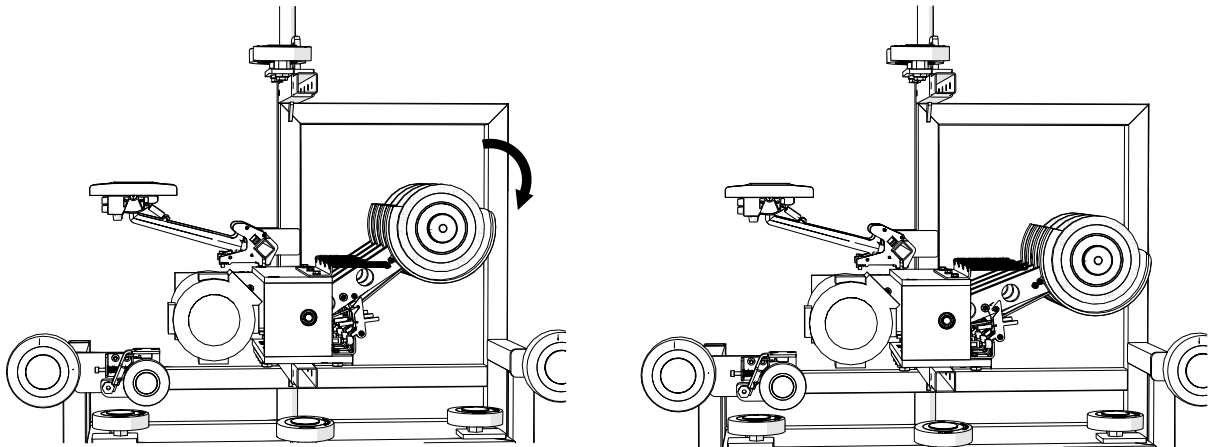


Fig. 9: Push the grinding arms into its rest position

6.2.2 Make the Cleaning Device ready for Operating

Working Steps:

1. Put the lifting loop to the lifting eye in top of the frame.

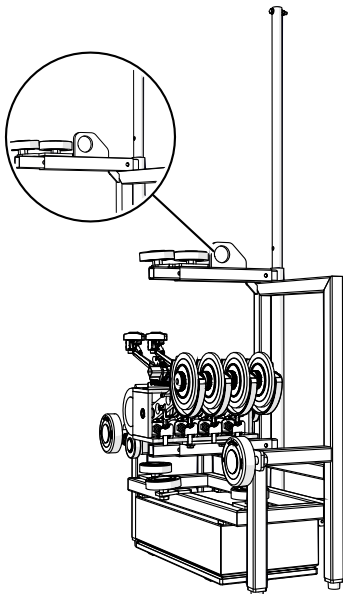


Fig. 10: Lifting eye in focus

2. Attach the lifting at the forklift and lift the cleaning device up until it's free from the ground.
3. Drive the forklift near to the "drive-in zone" of the RTG system.
4. Bring the cleaning device (with the forklift) in position (see Fig. 11).

Cleaning Device for Conductor Rails 0851 RTG

Variant 4P

Program 0851

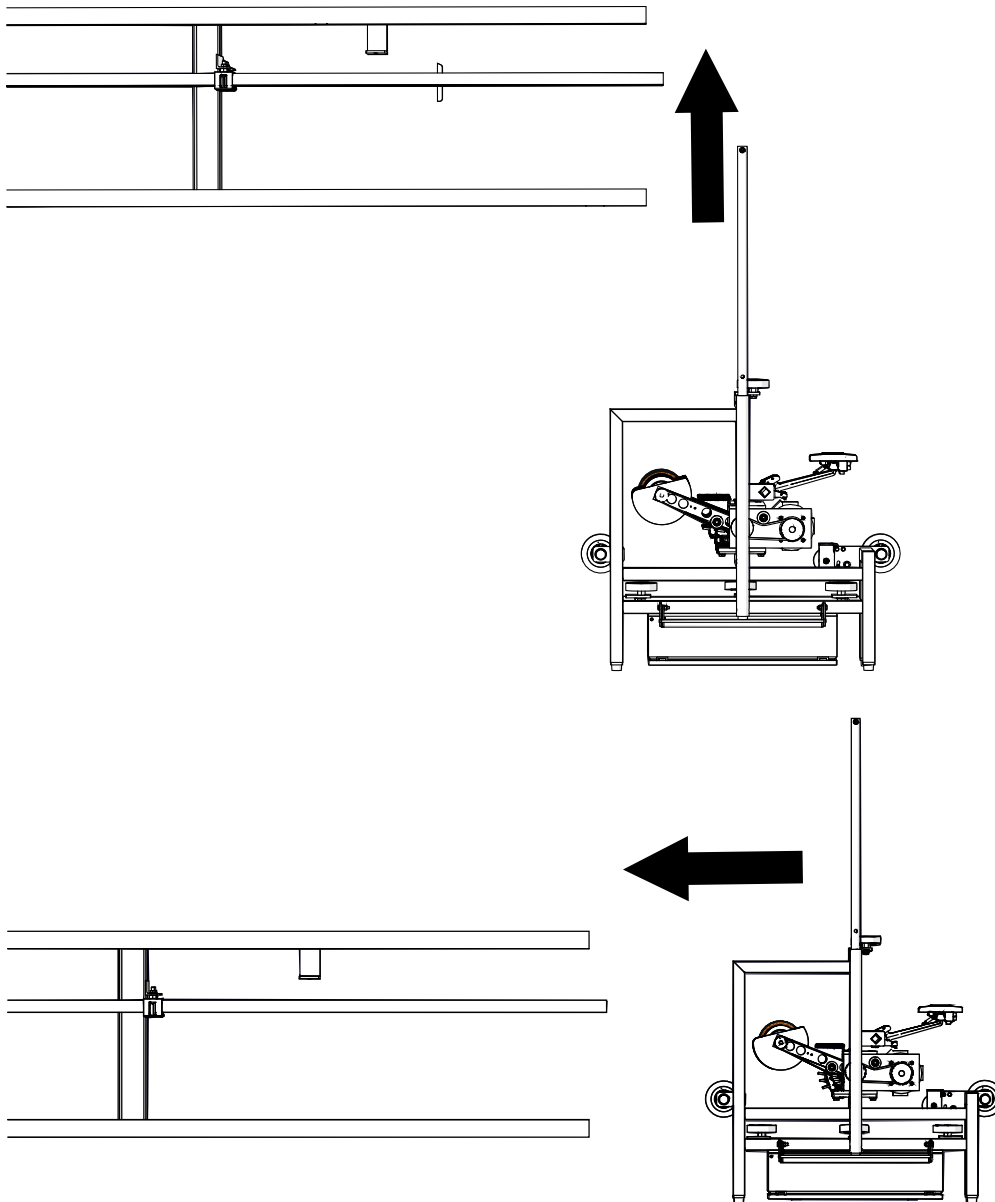


Fig. 11: Lift the cleaning device and drive it near to the “drive-in zone”

5. Set up double ladder in back of the “drive-in ramp”. One person should climb up the ladder and go to the ramp to handle the cleaning device.

Cleaning Device for Conductor Rails 0851 RTG

Variant 4P

Program 0851

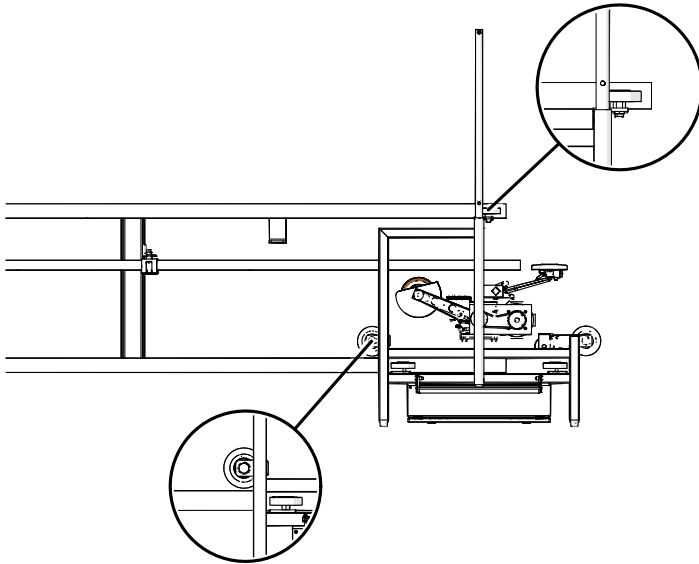


Fig. 12: Main roller and guide rollers in focus

6. Lower the fork until the first main roller touches the steel structure. Then push the cleaning device in driving direction until the guide rollers are inside the steel structure (Fig. 12).
7. Lower fork and release lifting loop from fork, then lift cleaning device at the back of the frame (by hand) and push it in drive direction until the second main roller fits on the steel structure (see Fig. 13).

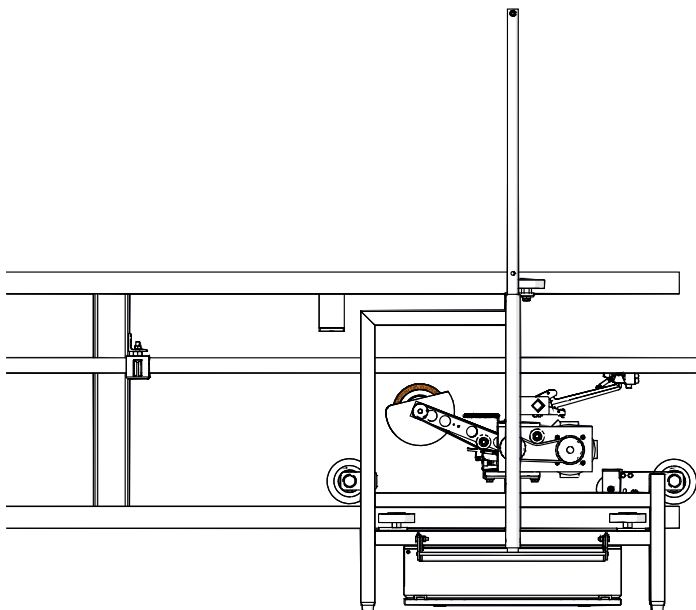


Fig. 13: The cleaning device into the beam

8. Remove lifting loop from lifting eye.

Cleaning Device for Conductor Rails 0851 RTG

Variant 4P

Program 0851

9. Insert the current collectors into the current rails!

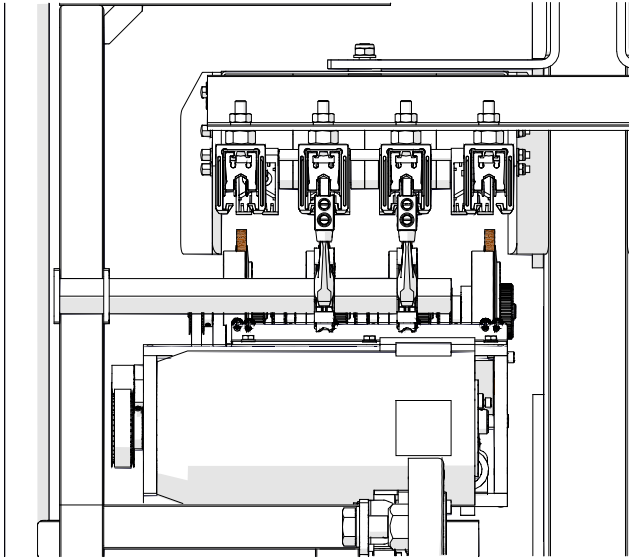


Fig. 14: Current collectors are inserted in the current collectors

10. Pull the square tube out. Then pull the tube to a pleasant working height and rotate the push handle by 90 °. Use bolt to lock the position.

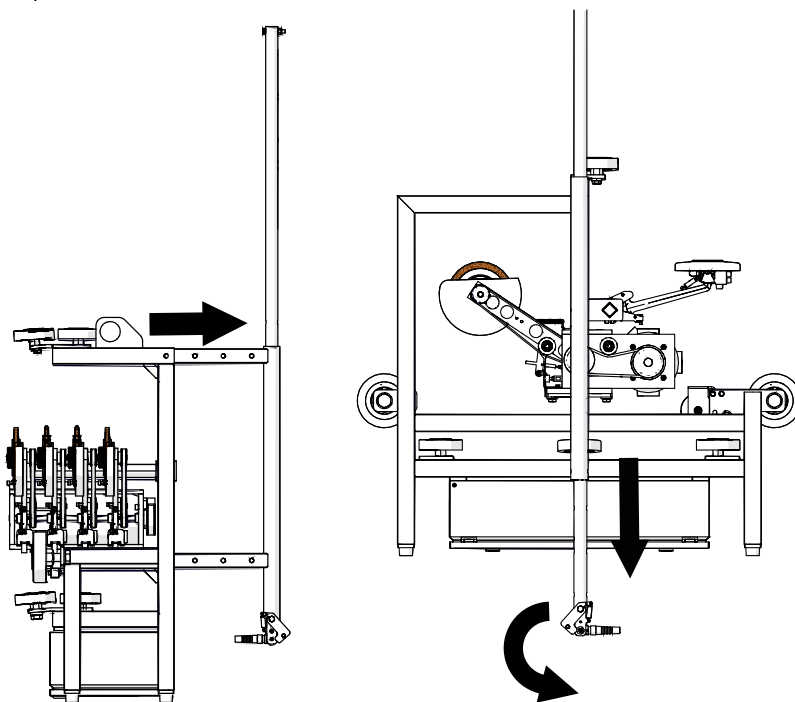


Fig. 15: Adjust the push handle

11. Connect the electrical plug from the push handle to the control box.

Cleaning Device for Conductor Rails 0851 RTG

Variant 4P

Program 0851

12. Push the cleaning device a few meters in drive direction until the conductor rails get their working width (75 mm). Drive-in area has 70 mm distance between conductor rails.

13. Release the grinding arms by pulling them down against spring force and unlocking the latching hook (see Fig. 16).

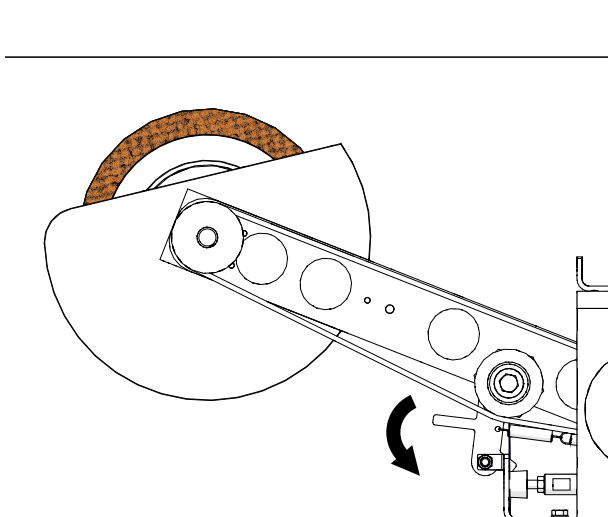


Fig. 16: Unlocking the latching hook



ADVICE!

If the PE-pole of the system is a ProfiDAT® data transmission conductor rail, the corresponding grinding disc should not be unlocked!

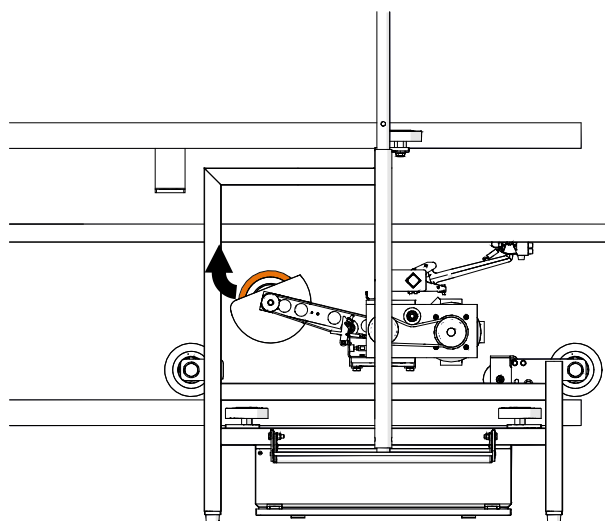


Fig. 17: Put the grinding discs into the rail

Cleaning Device for Conductor Rails 0851 RTG

Variant 4P

Program 0851

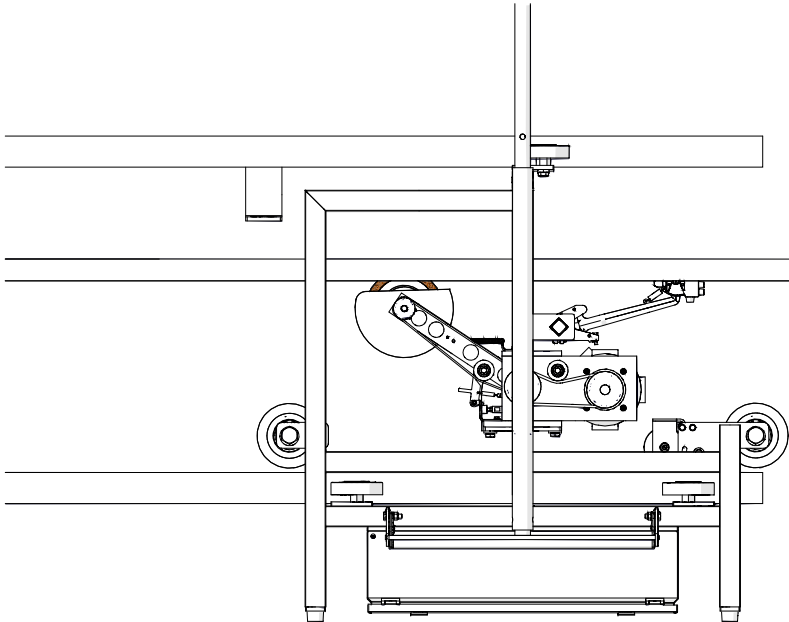


Fig. 18: Grinding discs are put into the rail

14. Check that the grinding discs fit correctly to the conductor rails.

Cleaning Device for Conductor Rails 0851 RTG

Variant 4P

Program 0851

6.2.3 Adjust Angle Tilt

Working Steps:

1. To adjust the angle between cleaning device and steel structure there is a possibility to adjust at the upper rollers. The angle can be adjusted by turning the eccentric bolts at the roller's cleaning device.

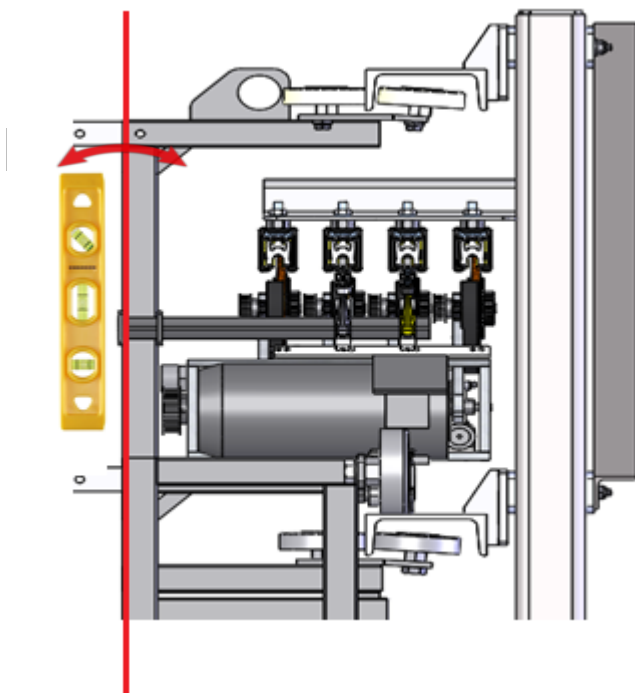


Fig. 19: Adjusting the angle between cleaning device and steel structure

2. Loosen the screws with wrench (SW17) and hold against at the bolt with a wrench (SW24).

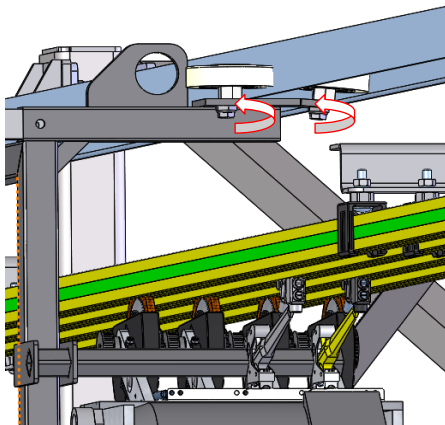


Fig. 20: Loosen the screws

Cleaning Device for Conductor Rails 0851 RTG

Variant 4P

Program 0851

- Now the angle can be adjusted by turning the eccentric bolt (SW 24) and the eccentric-sleeve (SW22). After the correct angle is adjusted fix the position by turning the bolt (SW17) clockwise while hold the eccentric-bolt in position.

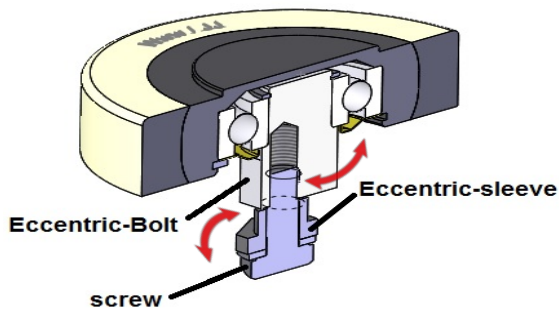


Fig. 21: Eccentric-bolt and eccentric-sleeve

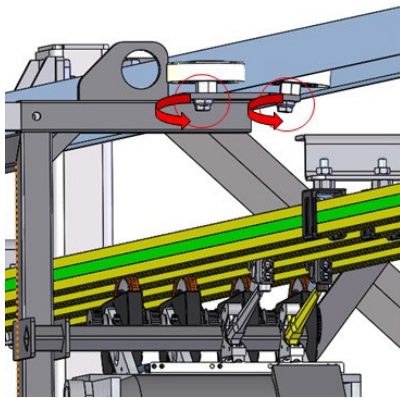


Fig. 22: Adjust the grinding disc

- If required adjust the grinding disc positions align to the conductor rails. Discs shall be positioned in the center line of the conductor rail.



Adjust angle in the first step before adjusting position!

Cleaning Device for Conductor Rails 0851 RTG

Variant 4P

Program 0851

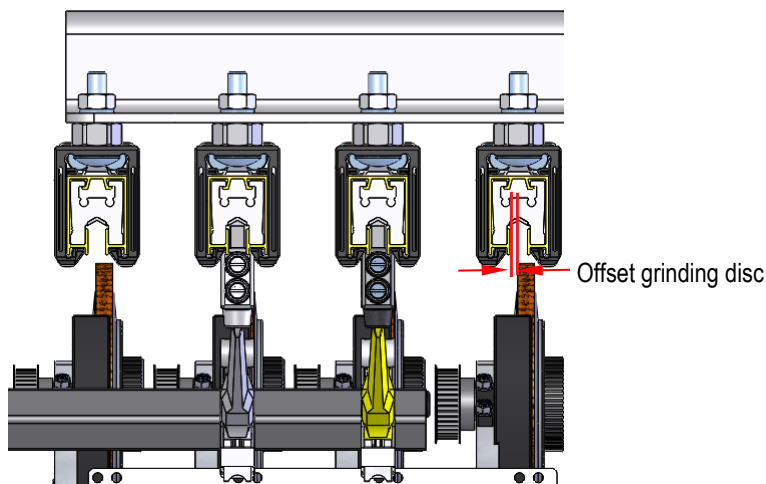


Fig. 23: Offset grinding disc

- To adjust the offset of grinding discs to the conductor rails loose the 4 screws (SW17) below the grinding unit. Push/Pull the grinding unit until the grinding discs are aligned with the conductor rails. Then fasten the 4 screws again.



ADVICE!

If there is not enough space to adjust the offset in the oblong holes, use the second thread pattern in the ground plate of the grinding unit!

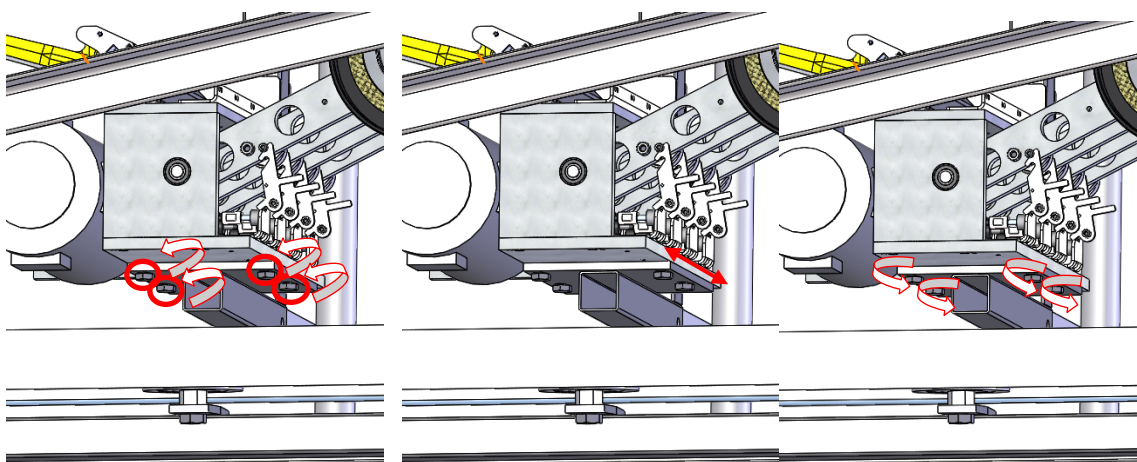


Fig. 24: Loosen the 4 screws, align the grinding discs and tighten the 4 screws

- Now the cleaning device is prepared to clean the conductor rails.

Cleaning Device for Conductor Rails 0851 RTG

Variant 4P

Program 0851

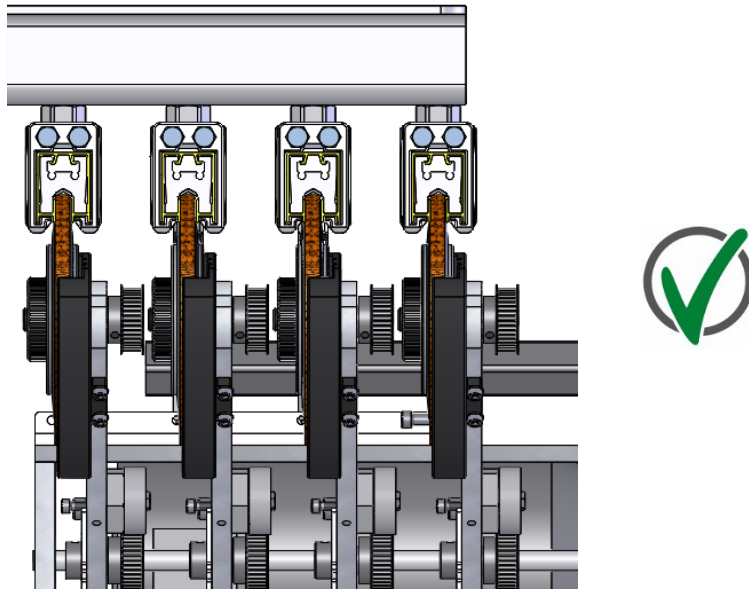


Fig. 25: The device is now prepared for cleaning the conductor rails

6.3 Connect Power Supply



WARNING!

Risk of injury due to high voltage!

Before the cleaning device is placed on the steel structure, the conductor rails must be disconnected from the supply voltage!

→ Make sure that the conductor rails are de-energized and secured against switch on again!

1. Loosen the butterfly nut (see Fig. 26) and insert the current collector into the rail. Tighten the butterfly nut (see Fig. 27). Respect the polarity (see Fig. 28).

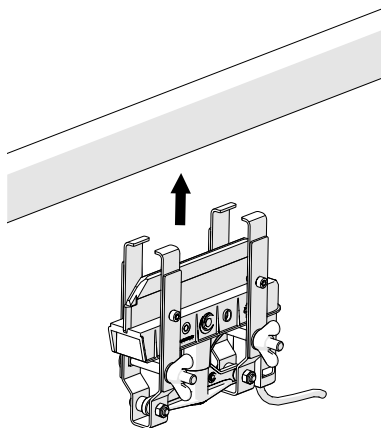


Fig. 26: Loosen the butterfly nut

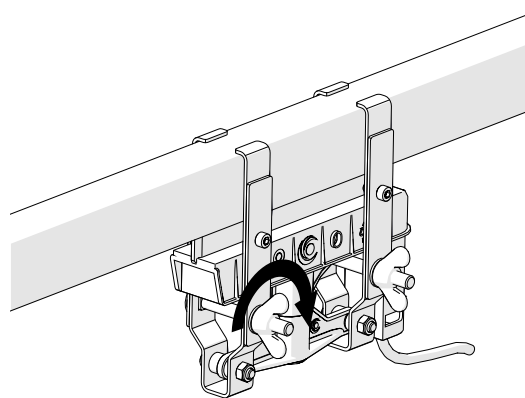


Fig. 27: Tighten the butterfly nut

Cleaning Device for Conductor Rails 0851 RTG

Variant 4P

Program 0851

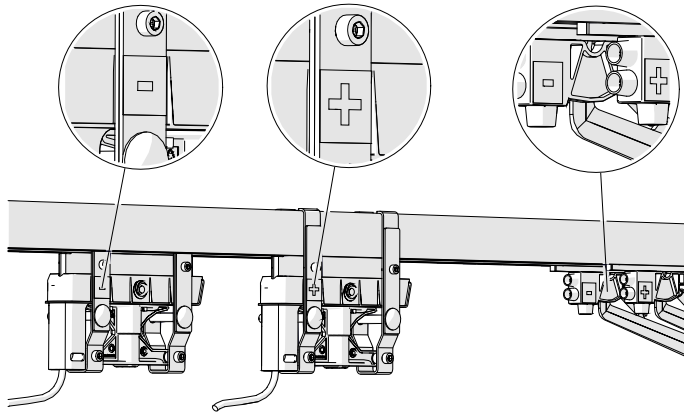


Fig. 28: Respect the polarity

2. To power the cleaning device it is necessary to observe the following working steps for connecting the power supply:
 - a. Connect the power supply to AC 110-260V 50Hz-60Hz (By Gen-Set/Pillarbox...).
 - b. Connect the cable from the cable lug to the power supply.
 - c. Switch the power supply on (main switch).
 - d. Press the voltage release switch on the power supply unit (see Fig. 29).

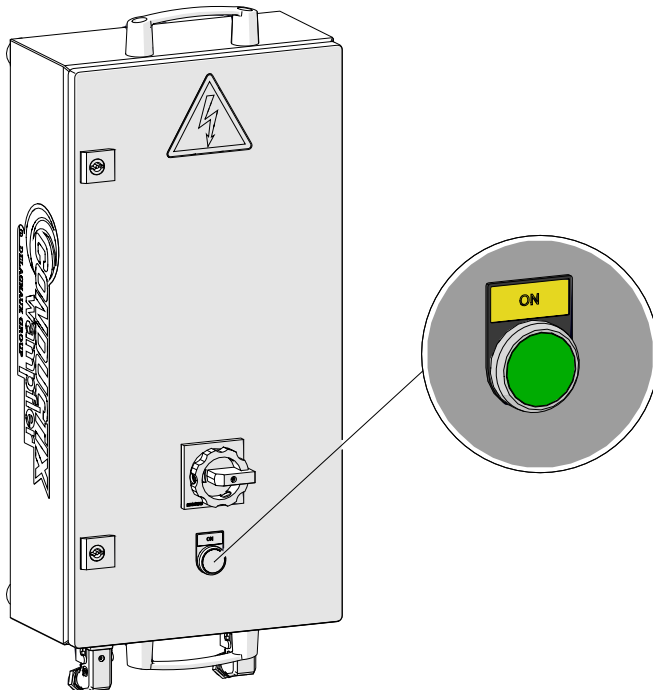


Fig. 29: Voltage Release switch on the power supply

Note: If the conductor rail is not disconnected, the power supply unit cannot be switched (Protective circuit to avoid destruction).

Cleaning Device for Conductor Rails 0851 RTG

Variant 4P

Program 0851

- e. Press the voltage release switch on the Cleaning Device (see Fig. 30).

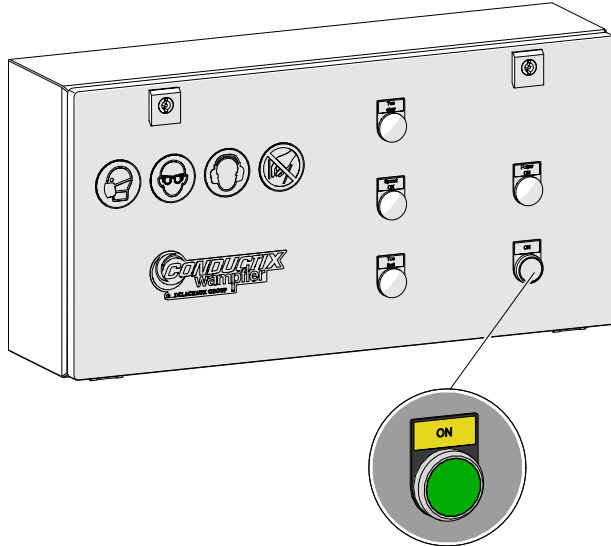


Fig. 30: Voltage Release switch on the power supply

Note: If the conductor rail is not released, the power supply unit cannot be switched (Protective circuit to avoid destruction).

- f. Check if the “Power Indicator Lamp” at the cleaning device is shining (see Fig. 31).
g. Switch the motor switch on (if available, not at all versions).
h. The device is now prepared for cleaning the conductor rails.

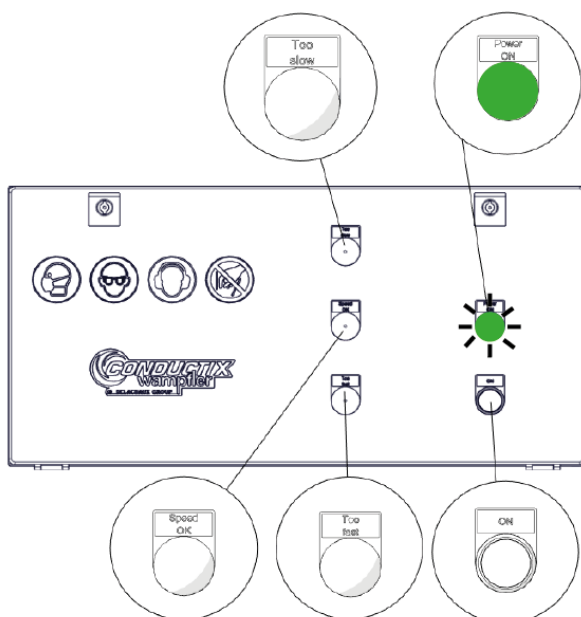


Fig. 31: The “Power Indicator Lamp” is shining

Cleaning Device for Conductor Rails 0851 RTG

Variant 4P

Program 0851

6.4 Cleaning the Conductor Rails

It is important to operate the device at correct speed. Therefore the device has an electric speed control.

1. Start to clean the conductor rails by pushing the device and use the dead man's switch at the push handle. Motor will start at correct speed.
2. The three signal lamps at the bottom of the cleaning device showing the correct speed for cleaning. It indicates "too slow", "speed ok" and "too fast".
 If the slow lamp shines more than two seconds, the grinding discs will stop to prevent damages at the conductor rails. In this case, you have to increase the walking speed to get the grinding discs working again.
 If the fast lamp shines, the cleaning quality will be decrease.
3. If you reach an expansion unit, you have to push the button (located at the push handle) to activate the belt-brake to avoid damage of the grinding disc by crossing the gap between the current collector rails.

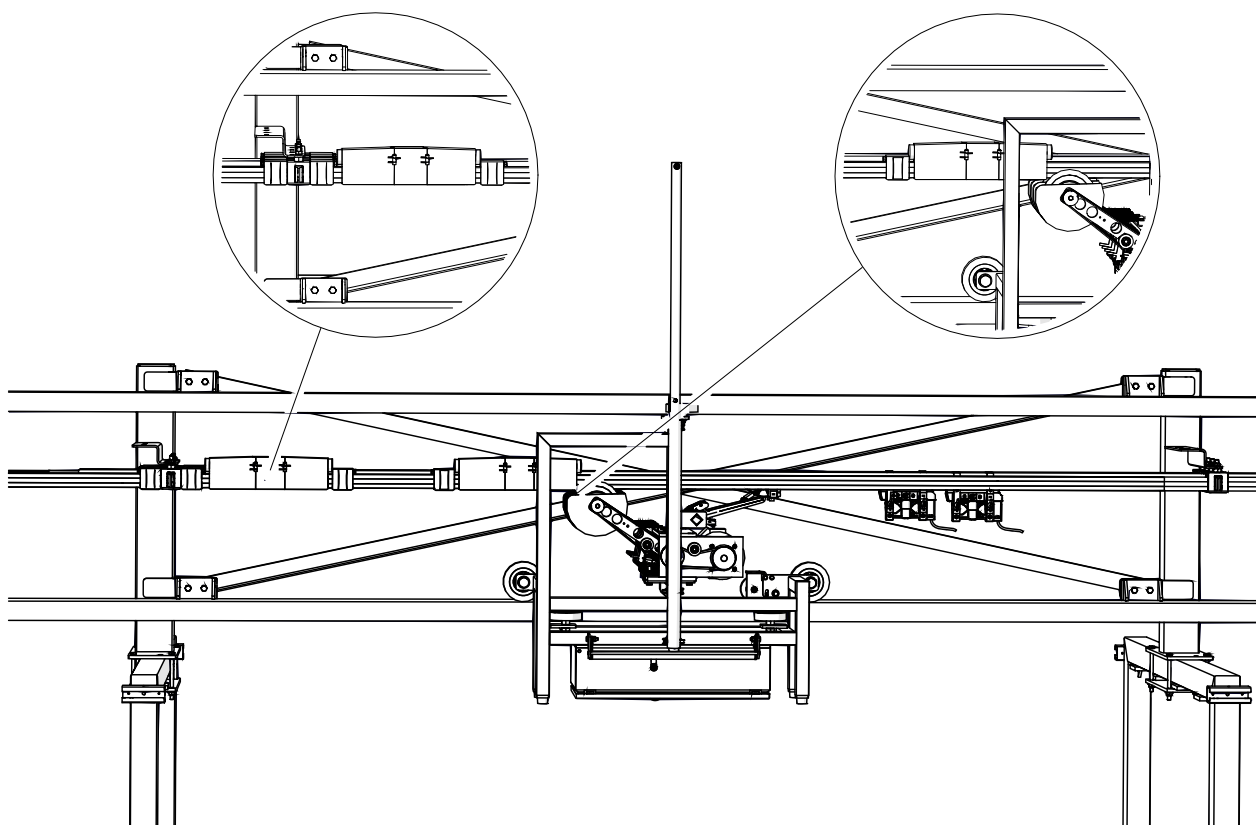


Fig. 32: Expansion Unit

Shortly before an expansion unit has reached, the button (1) must be pressed (see Fig. 33). The button (1) must be released, if the expansion has been passing through. Pressing the button (1) will prevent the disc from getting caught in the gap of the expansion joint.

Cleaning Device for Conductor Rails 0851 RTG

Variant 4P

Program 0851

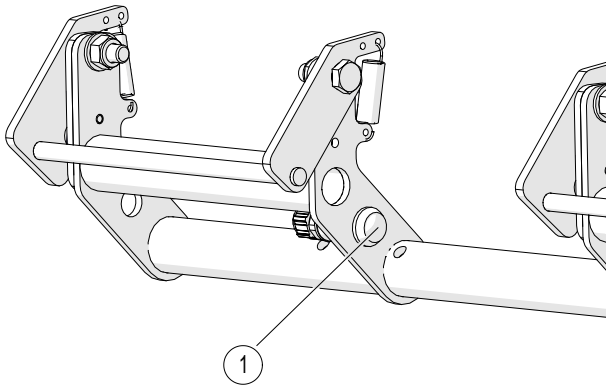


Fig. 33: Button at the Push Handle

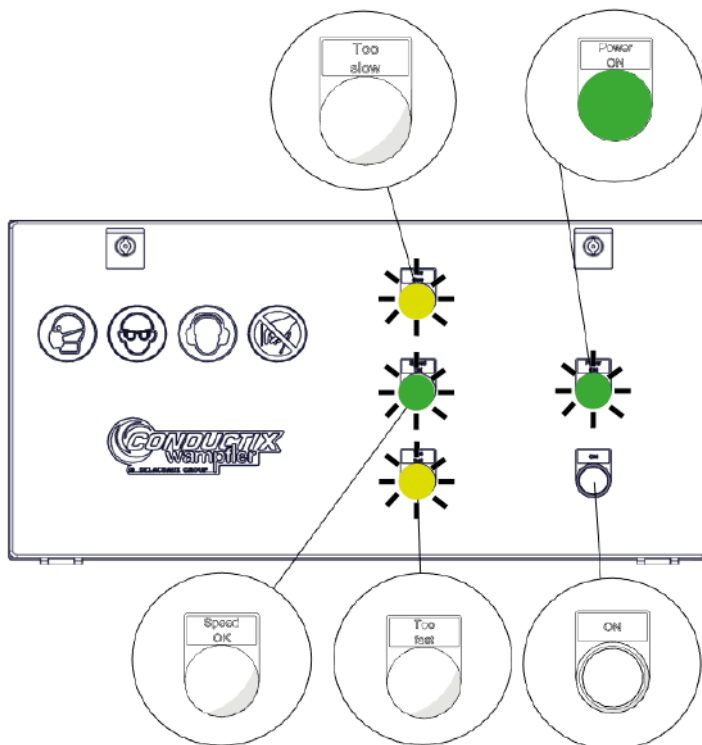


Fig. 34: Signal Lamps indicating "too slow", "speed ok" and "too fast"



NOTICE!

Conductix-Wampfler recommends cleaning each container corridor twice (one time forth and one time back)!

Cleaning Device for Conductor Rails 0851 RTG

Variant 4P

Program 0851

6.5 Activities after Using

Working Steps:

1. Turn the motor switch off.
2. Switch the power supply off (main switch).
3. Disconnect the cable from the connector shoe to the power supply.
4. Open the butterfly nut at the connector shoes and take them off the conductor rail.
5. Pull the grinding arms into the rest position by pulling them down until they were locked.
6. Push the cleaning device to the end of the block near the "drive-in zone".
7. Put lifting loop into the lifting eye.
8. Remove the cleaning device from the conductor rail.



WARNING!

The lifting loop must be fixed at the cleaning device and forklift!

→ Do not remove the rollers from the beam before the lifting loop is fixed correctly at the cleaning device and the fork of the forklift

Cleaning Device for Conductor Rails 0851 RTG

Variant 4P

Program 0851

7 Service and Maintenance

7.1 Safety



WARNING!

Risk of injury due to improper maintenance works!

- Improper maintenance works may cause heavy injuries to persons and damage to properties.
- Prior to starting work make sure that the conditions to start the mounting are fulfilled.
- Ensure that the workplace is clean and tidy! Loose components and tools, that are lying around may cause accidents.
- If components have been removed, ensure that they are mounted correctly, reinstall all fasteners and observe the screw tightening torques.

7.2 Maintenance Schedule

The following chapters describe the maintenance works, which are required for an optimum and undisturbed operation.

The realized maintenance work must be recorded in writing.

For questions concerning maintenance works and intervals contact the manufacturer, see service address on the last page.

Interval	Maintenance work	To be effected by
Daily (before using)	Visual inspection <ul style="list-style-type: none"> ■ Check belts (tension/wear) ■ Check movement of grinding arms ■ Check function of belt brakes ■ Check rotation of grinding disks ■ Check function of control (standstill monitoring) 	Maintenance Personal Expert

Cleaning Device for Conductor Rails 0851 RTG

Variant 4P

Program 0851

8 Fault Diagnosis



Risk of injury due to improper fault clearance!

Improper fault clearance may cause heavy injuries or damage to property.

- In case of disturbance, contact the manufacturer.
- Fault clearance must only be carried out by workers of the manufacturer or by personnel authorized by the manufacturer.

Interval	Maintenance work	To be effected by
No power at device (indicator light does not light up)	<ul style="list-style-type: none"> ■ Check AC side of power supply. Is it connected to AC power source? ■ Check if power supply main switch is in position "on" ■ Check the cable between power supply and conductor rails ■ Check contact of power feed to conductor rails 	Maintenance Personal Expert
Grinding disks does not spin	<ul style="list-style-type: none"> ■ Check if motor switch is in position "on" ■ Check power supply main switch ■ Move the cleaning device forward while pressing the dead-men-switch to ensure the standstill monitoring release the motor (speed indicator lamp "OK" or "Too fast" must be lighted) 	Maintenance Personal Expert
	■	
	■	
	■	
	■	



If the measures listed here do not correct the faults, please connect Conductix-Wampfler immediately!

Cleaning Device for Conductor Rails 0851 RTG

Variant 4P

Program 0851

9 Disassembly and Disposal

9.1 Safety



WARNING!

Risk of injury due to improper disassembly!

- Stored residual energy, edged components, tips or corners at or in the device or at the required tools may cause injuries.
- Make sure there is enough room prior to starting works.
- Be careful with open, sharp-edged components.
- Ensure that the workplace is clean and tidy! Loose components or tools that are lying around may cause accidents.
- Dismount components properly. Note that some components have a heavy net weight. Use hoist units if required.
- Secure components, so that they cannot fall down or turn over.
- In case of questions, consult the manufacturer.

9.2 Disassembly

When the device has reached the end of its useful life, disassemble it and dispose of it in an environmentally compatible way.

Prior to starting the disassembly:

- Remove and dispose of operating and auxiliary material as well as remaining items in an environmentally compatible way.

Then clean assemblies and components properly and decompose them with regard to the valid local instructions for operational safety and environmental protection.

9.3 Disposal

If return or disposal arrangements have not been made, use decomposed components for recycling:

- Scrap metals.
- Provide plastic elements for recycling.
- Dispose of remaining components separately according to the material consistence.



CAUTION!

Environmental damage due to incorrect disposal!

- Electronic scrap, electronic components, lubricants and other auxiliary material are considered as hazardous waste and may only be disposed off by authorized specialized service centers

The local authority or specialized service centers for disposal give advice as to environmentally compatible disposal.

10 Further Documents

10.1 Declaration of Conformity

Cleaning Device for Conductor Rails 0851 RTG

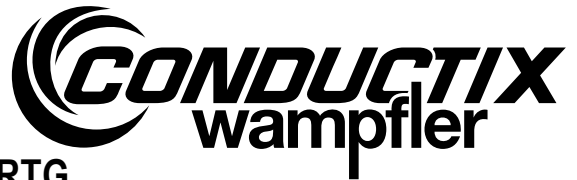
Variant 4P

Program 0851

11 Index

Accessories.....	13	Make the Cleaning Device ready for Operating	22
Activities after Using.....	36	Mount the Grinding Discs	20
Adjust Angle Tilt	28	Operation	19
Application in Accordance with the Regulations	8	Packing.....	15
Assembly and Commissioning.....	16	Product Description and Mode of Operation	11
Behavior in Case of Accidents and Disturbances.....	10	Qualification	7
Cleaning the Conductor Rails	34	Safety.....	19, 37, 39
Connect Power Supply.....	31	Safety Advice.....	6
Declaration of Conformity.....	40	Safety Advice for Transport.....	14
Disassembly.....	39	Safety Measures by the Operator.....	9
Disassembly and Disposal.....	39	Service and Maintenance	37
Disposal	39	Test and Initial Commissioning.....	18
Fault Diagnosis	38	Transport	14
Further Documents	40	Transport Inspection.....	14
General Advice.....	4	Transport, Packing and Storage.....	14
Instruction.....	7	Unauthorized Persons	7
Maintenance Schedule.....	37		

Operating Instructions



Cleaning Device for Conductor Rails 0851 RTG

Variant 4P

Program 0851

Conductix-Wampfler GmbH
Rheinstraße 27 + 33
79576 Weil am Rhein - Markt
Germany

Phone: +49 (0) 7621 662-0
Fax: +49 (0) 7621 662-144
info.de@conductix.com
www.conductix.com



Importer for the United Kingdom:
Conductix-Wampfler Ltd.
1, Michigan Avenue
Salford
M50 2GY
United Kingdom

Phone: +44 161 8480161
Fax: +44 161 8737017
info.uk@conductix.com
www.conductix.com